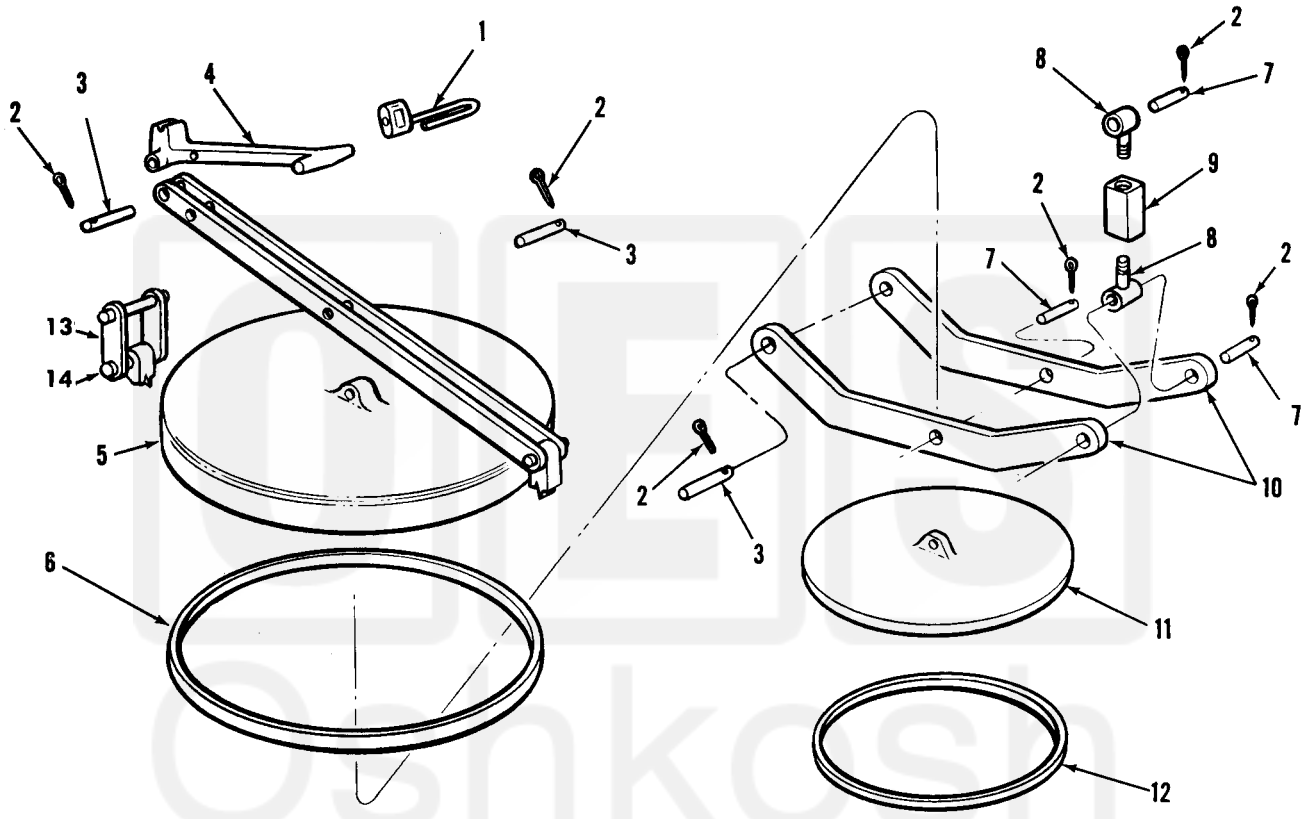


(1)	(2)	(3)	(4)	(5)	(6)	(7)	(8)
ILLUS.							QTY
(a)	(b)	SMR	NATIONAL	PART		DESCRIPTION	U/M
FIG.	ITEM	CODE	STOCK	NUMBER	FSCM		INC
NO.	NO.		NUMBER			USABLE ON CODE	IN
							UNIT
1811-TANK BODIES (CONT'D)							
172	21	PBOZZ	4730-00-833-0508	MS51819-7	96906	CONNECTOR ASSEMBLY (M49A2C) (3EA) (M50A3) (2EA)	EA 3
172	22	PFOZZ	4710-00-485-9652	10937334	19207	TUBE:EMERGENCY RELEASE CABLE GUIDE (M49A2C)	EA 2
172	22	PAOZZ	2510-00-501-7270	11609131	19207	TUBE:GUIDE (M50A3)	EA 2
172	23	PAOZZ	4710-00-462-8503	10937335	19207	TUBE:REAR CABLE GUIDE (M49A2C)	EA 1
172	24	MFOZZ	4010-00-171-4236	10937151-2	19207	CABLE,FRONT DISCHARGE VALVE CONTROL (FAB.FROM 4010-00-171-4236) (M49A2C)	EA 1
172	24	MFOZZ	4010-00-171-4236	11609006-2	19207	CABLE,FRONT DISCHARGE VALVE CONTROL (M50A3)	EA 1
172	25	MFOZZ	4010-00-171-4236	10937151-1	19207	CABLE,EMERGENCY RELEASE (M49A2C)	EA 1
172	26	MFOZZ	4010-00-171-4236	10937151-3	19207	CABLE,REAR DISCHARGE VALVE CONTOL (M49A2C)	EA 1
172	26	MFOZZ	4010-00-171-4236	11609006-1	19207	CABLE,REAR DISCHARGE VALVE CONTROL (M50A3)	EA 1
173	1	PAOZZ	5340-00-912-4088	MS21313-162	96906	PADLOCK ASSEMBLY (M50,M50A1, M50A2)	EA 2
173	2	PAOZZ	5315-00-187-9377	MS24665-317	96906	PIN,COTTER (M50,M50A1,M50A2)	EA 12
173	3	PAOZZ	5315-00-505-2196	10896658-2	19207	PIN (M50,M50A1,M50A2)	EA 3
173	4	XBOZZ		10896654	19207	HANDLE (M50,M50A1,M50A2)	EA 1
173	5	XBOZZ		10896653	19207	COVER (M50,M50A1,M50A2)	EA 1
173	5	XBOZZ		11609083	19207	COVER (M50A3)	EA 1
173	6	PAOZZ	5330-00-465-9338	11602944-2	19207	RUBBER,STRIP (M50,M50A1, M50A2)	EA 1
173	6	PAOZZ	5330-00-567-0141	11609085	19207	GASKET,COVER (M50A3)	EA 1
173	7	PAOZZ	5315-00-505-2194	10896658-1	19207	PIN (M50,M50A1,M50A2)	EA 3
173	8	PAOZZ	5306-00-318-0943	8330103	19207	BOLT,EYE (M50,M50A1,M50A2)	EA 1
173	9	PAOZZ	5340-00-508-1973	8330104	19207	NUT (M50,M50A1,M50A2)	EA 1
173	10	XBOZZ		10896957	19207	YOKE (M50,M50A1,M50A2)	EA 1
173	11	XBOZZ		10896955	19207	COVER (M50,M50A1,M50A2)	EA 1
173	12	PAOZZ	5330-00-298-0078	8330046	19207	SEAL,RUBBER,SPECIAL (M50,M50A1,M50A2)	EA 1
173	13	XBOZZ		10896655	19207	CATCH	EA 1
173	14	XBOZZ		10896662	19207	RING AND PIN ASSEMBLY,CLAMPING COVER (M50A3)	EA 1
174	1	PAOFF	4930-00-563-4642	8329947	19207	NOZZLE:DISCHARGE,HOSE ASSEMBLY (M50,M50A1,M50A2,M50A3)	EA 2
174	2	PAFZZ	5315-00-234-1619	MS24665-170	96906	PIN,COTTER (M50,M50A1,M50A2, M50A3)	EA 1



TA 067325

Figure 173. Water tank body manhole.